



T4IF-CT

Light-weight:
Only 3.3 Kg



The InsulFast™ T4 COMPACT System is twice as fast as PAT systems, with significantly less user fatigue.

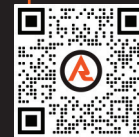
Simple, one-step installation will increase productivity and reduce re-work.

Ramset™ Australia

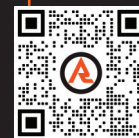
Sales, Orders and Enquiries
Tel: 1300 780 063
Email: enquiry@ramset.com.au
Web: www.ramset.com.au

Web Links

AUS:



NZ:



Ramset™ New Zealand

Sales, Orders and Enquiries
Tel: 0800 726 738
Email: info@ramset.co.nz
Web: www.ramset.co.nz



Ramset™ | 1 Ramset Drive, Chirnside Park 3116
Information in this document is correct at the time of printing. Readers should contact Ramset™ or consult Ramset™ detailed technical information to ensure product is suitable for intended use prior to purchase.
ITW Australia Pty Ltd ABN 63 004 235 083 trading as Ramset™
© copyright 2024.™ Trademarks of Celtram Pty Ltd. Used under license by Ramset™
Imagery showing graphic concrete is used with permission of Graphic Concrete Ltd. CB1502PPL

InsulFast™ T4 COMPACT

The Smarter Insulation Fastening System by Ramset™



InsulFast™ T4 COMPACT System Product Codes

Part NO	Description	Rigid Insulation Thickness	Soft Insulation Thickness	Fastener Colour
T4IF-CT	Ramset™ InsulFast™ T4 Compact Gas Tool	N/A	N/A	N/A
T4IG625	White anchor 25mm pin (qty 500) and 1x fuel cell	25mm	25mm -30mm	White
T4IG625B	Black anchor 25mm pin (qty 500) and 1x fuel cell	25mm	25mm -30mm	Black
T4IG638	White anchor 38mm pin (qty 500) and 1x fuel cell	38mm	38mm -45mm	White
T4IG650	White anchor 50mm pin (qty 500) and 1x fuel cell	50mm	50mm -55mm	White
T4IG650B	Black anchor 50mm pin (qty 500) and 1x fuel cell	50mm	50mm -55mm	Black
T4IG663	White anchor 63mm pin (qty 500) and 1x fuel cell	60mm	60mm -65mm	White
T4IG675	White anchor 75mm pin (qty 500) and 1x fuel cell	75mm	75mm -80mm	White
T4IG675B	Black anchor 75mm pin (qty 500) and 1x fuel cell	75mm	75mm -80mm	Black
T4IG100 (White)	White anchor 100mm pin (qty 500) and 1x fuel cell	100mm	100mm -105mm	White
T4IG100 (Black)	White anchor 100mm pin (qty 500) and 1x fuel cell	100mm	100mm -105mm	Black

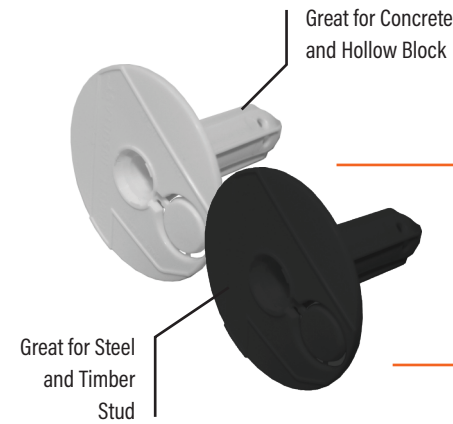


ramset.com.au or call 1300 780 063 | ramset.co.nz or call 0800 RAMSET

May | 2024

AUS & NZ

InsulFast™ T4 COMPACT
The Smarter Insulation Fastening System by Ramset™



Achieve 99.5% Thermal Efficiency

- Close the integrated cap to create a thermal break and excellent thermal efficiency of 99.5%

Depth adjuster
Get optimal pin performance by adjusting the setting based on the type of base material.

The Specs

95J power
Consistent fixings even in extreme applications.

Ramset™ InsulFast™ T4 COMPACT Insulation Fastening System Overview

Lighter and tougher, the InsulFast™ T4 COMPACT system delivers 95J of power for increased productivity and reduced fatigue. Built compact and strong, it's the go-to choice for tradies who mean business.

Fastening System F&B's



Installs in seconds

- Twice as fast as PAT systems
- One-step installation
- Eliminates all fastener-related pre/post work



Increases efficiency and reduces injury

- Less recoil than powder actuated tools
- Reduced operator fatigue with efficient and ergonomic design



Reduces thermal bridging

- Integrated cap creates thermal break
- Saves energy, reduces building heating and cooling costs



Performs in multiple environments

- Works with insulation up to 150mm thick
- Installs directly to concrete, block, steel stud, and timber
- Works in all weather conditions

Our Patented Fastener



Flanges ensure insulation remains perfectly in place; the insulation panel won't flip around during the fastening process.

Engineered shaft reduces friction, limiting insulation compression and enabling thermal efficiency.

Point designed to pierce insulation material with little effort.

Integrated cap creates a thermal break and reduces thermal bridging, achieving up to 99.5% thermal efficiency when closed.

Fuel cell included in every box of fasteners
Never have to stall a job.

Auto Shut Off/On
Won't drain the Li-Ion battery when not in use.

Improved stick rate for better reliability

Operating Temperature: -5°C to 50°C
Light-weight: 3.3kg
Battery Capacity: up to 10,000 shots

Fuel and battery gauges
Seamless productivity.



Fastener Specifications:



- **Pin Material:** Heat Treated Carbon Steel
- **Pin Finish:** Mechanical Zinc Plated
- **Washer Material:** High Density Polyethylene (HDPE)
- **Pin Diameter:** ~ 3mm for concrete, 2.5mm for steel
- 60mm Holding Diameter
- Each fastener has clear branding along with length of fastener assembly

		25mm	50mm	75mm	100mm	125mm	150mm
Reference	U-Factor (W/m2 °C)	1.1786	0.7122	0.5103	0.3976	0.3257	0.2758
	Efficiency(%)	100.00%	100.00%	100.00%	100.00%	100.00%	100.00%
InsulFast™ T4 COMPACT	U-Factor (W/m2 °C)	1.1845	0.7162	0.5132	0.3999	0.3276	0.2773
	Efficiency(%)	99.50%	99.45%	99.44%	99.43%	99.42%	99.42%

InsulFast™ T4 COMPACT Performance Data

Concrete | Concrete Strength & Tension Load

PART NUMBER	CONCRETE STRENGTH	ALLOWABLE TENSION LOADS
T41G6XX	25 - 45Mpa	0.15kN

Hollow Concrete Block | Tension Load

PART NUMBER	ALLOWABLE TENSION LOADS
T41G6XX	0.15kN

Timber | Shank Diameter & Tension Load Allowable

PART NUMBER	SHANK DIAMETER	INSTALLED IN 12mm 4 PLY PLYWOOD SHEETING
T41G6XXB (Black, Knurled Pin)	2.5mm	.07kN

Steel Studs | Shank Diameter & Tension Load Allowable

PART NUMBER	SHANK DIAMETER	INSTALLED IN COLD FORMED STEEL FRAMING			
		22 Gauge	20 Gauge	18 Gauge	16 Gauge
T41G6XXB (Black, Knurled Pin)	2.5mm	0.089kN	0.15kN	0.20kN	0.27kN

Evaluations:

- ICC-ESR-1955 (T4 Power driven fasteners)
- ASTM E331 (Water Penetration)
- ASTM E2178 (Air Leakage)
- ASTM E84 (Surface Burning Characteristics)



ramset.com.au or call 1300 780 063 | ramset.co.nz or call 0800 RAMSET



ramset.com.au or call 1300 780 063 | ramset.co.nz or call 0800 RAMSET



ramset.com.au or call 1300 780 063 | ramset.co.nz or call 0800 RAMSET