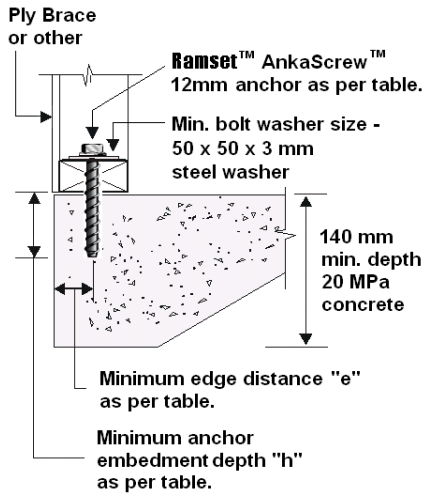


Limit State Uplift Capacity

Ramset™ 12mm AnkaScrew™

Date	03/11/11
Reference	TDS03041

Limit State Design uplift capacity of Ramset™ AnkaScrew™ used in wall frame tie-down connection (ply brace or other).



Tie Down Capacity of Bolts through Timber as per AS 1684.2-1999

Bolt Size	Uplift capacity (kN)					
	Unseasoned timber			Seasoned timber		
	J2	J3	J4	JD4	JD5	JD6
M12	27	27	26	20	16	12



Ramset™ AnkaScrew™

Anchor Type	Part Number	Anchor Size, d_b	Installation details					Uplift Capacity (kN)
			Drilled Hole Diam. in-concrete, d_h (mm)	Fixture Hole Diam. in-timber, d_f (mm)	Min. Edge Distance, e (mm)	Min. Anchor Spacing, a (mm)	Anchor Embed. Depth, h (mm)	
AnkaScrew™	AS12150GM	12	12	15	35	70	107	13.1

- Note:**
1. Uplift Capacity is based on installation into concrete with 20 MPa concrete compressive strength
 2. Uplift Capacity is based on Strength Limit State Design of the Specifiers Resource Book Edition 3 located in the Mechanical Anchoring Section - pages 195 to 202.
 3. Uplift Capacity is per anchor
 4. Minimum concrete substrate thickness can be $b_m = 140$ mm